

Current Transducer ETD-A Series

The ETD-A Series are AC current transducers. The CT can be mounted to existing panels, such as control centers or load centers, to measure or monitor wattage.



STANDARD PART NUMBERS

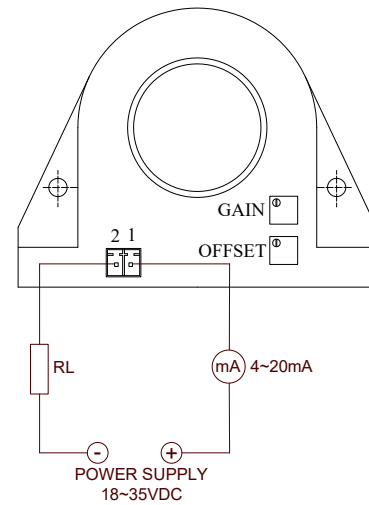
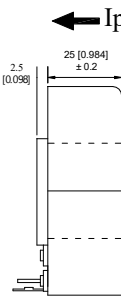
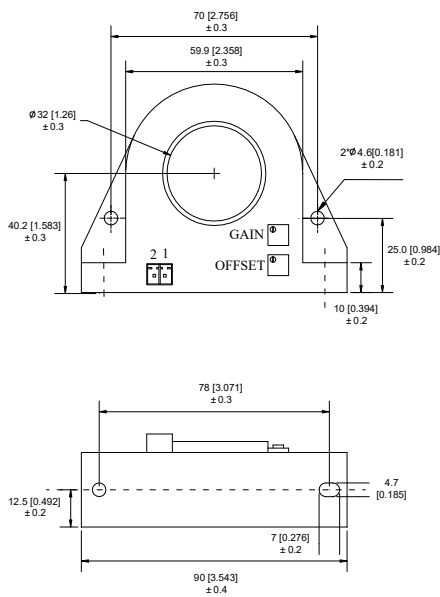
MODEL	INPUT CURRENT	AVAILABLE OUTPUT
ETD100-A	100 A	POWER SUPPLY@18~35V CURRENT OUTPUTS @4~20mA
ETD200-A	200 A	
ETD500-A	500 A	
ETD800-A	800 A	
ETD1000-A	1000 A	

DIMENSIONS(MM)

CONNECTION DIAGRAM

Front View

Right View



Secondary terminals

Terminal 1 18~35V
Terminal 2 GND

Bottom View

APPLICATION

- Current Measurement
- Electrical load monitoring
- Energy and sub-metering products
- Network equipment
- Instruments and sensors
- Control systems
- Go GREEN initiatives

SPECIFICATIONS

- Standard Input Current 0-1000A
- Frequency 50Hz — 400Hz
- Standard accuracy 1%
- Approximate weight 350g
- Clamping voltage on selected models