

The ECS06 series are split-core current transformers. The CT can be mounted to existing panels, such as control centers or load centers, to measure or monitor wattage. These CTs can be mounted without removing existing cables for easier installation.

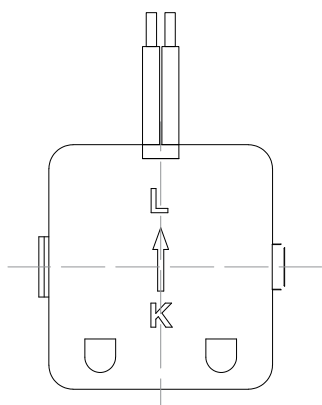
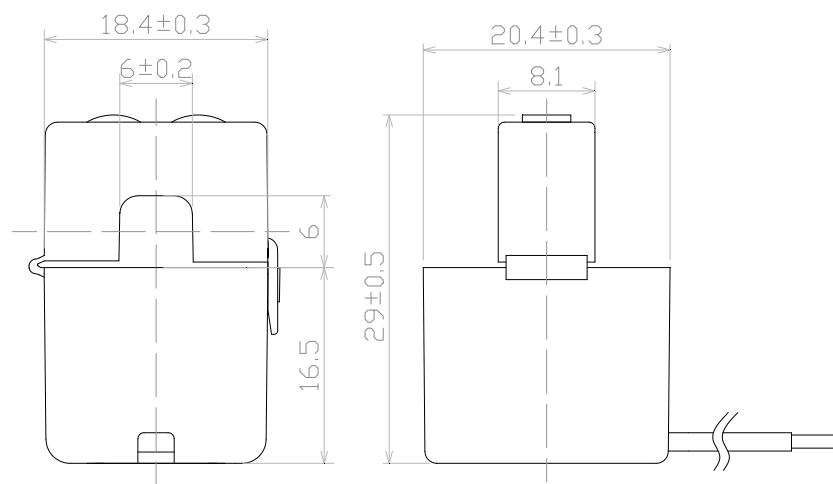


### Electrical Specifications

MODEL	INPUT CURRENT	AVAILABLE OUTPUT
ECS06-05	5 A	CURRENT OUTPUTS @ 5mA, 10mA,20mA, 25mA, 33.3mA VOLTAGE OUTPUTS @ 0.25V, 0.33V,0.5V,1V (can be customized by customer)
ECS06-10	10 A	
ECS06-15	15 A	
ECS06-20	20 A	
ECS06-25	25 A	



### Mechanical Dimensions in mm



### APPLICATIONS

- Energy and sub-metering products
- Electrical load monitoring
- Network equipment
- Instruments and sensors
- Control systems
- Go GREEN initiatives

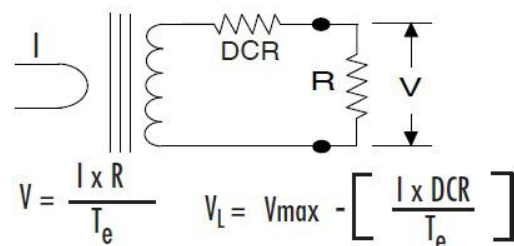
### FEATURES

- 0.23" window opening (ID)
- Custom design Turns-Ratio available
- Rigid housing case with UL 94V-0 durable plastic
- PVC wire leads—26~20AWG
- Approximate weight 15g

### SPECIFICATIONS

- Standard Input Current 0.1-25A
- Frequency 50Hz — 400Hz
- Standard accuracy 0.5,1,3
- Insulation Voltage 2500 Vac/1min
- Operating Temp. -40°C to +65°C
- Storage Temp. -45°C to +85 °C
- ANSI C57.13 and IEC61869-1 Standards

### Connection Diagram



### CAUTION

Before installation, safety precautions must be followed by licensed professional. Never energize primary unless short circuited terminals or burden connected to secondary.